

Alloy Tool Steel, Welded Sealed, Double-Ended Shear Beam Load Cell

FEATURES

- Rated capacities of 50,000 to 100,000 pounds, 20 to 50 metric tons
- Center supported, internal pivot loading
- Replacement for Revere model 5223 and compatible load cells
- Trade certified for NTEP Class III: 10000 divisions and OIML R60: 3000 divisions
- *Sensorgage*™ sealed to IP68 standards
- Factory Mutual System Approved for Classes I, II, III; Divisions 1 and 2; Groups A through G. Also, non-incendive ratings (No barriers!)



APPLICATIONS

- Truck scales
- Railroad track scales

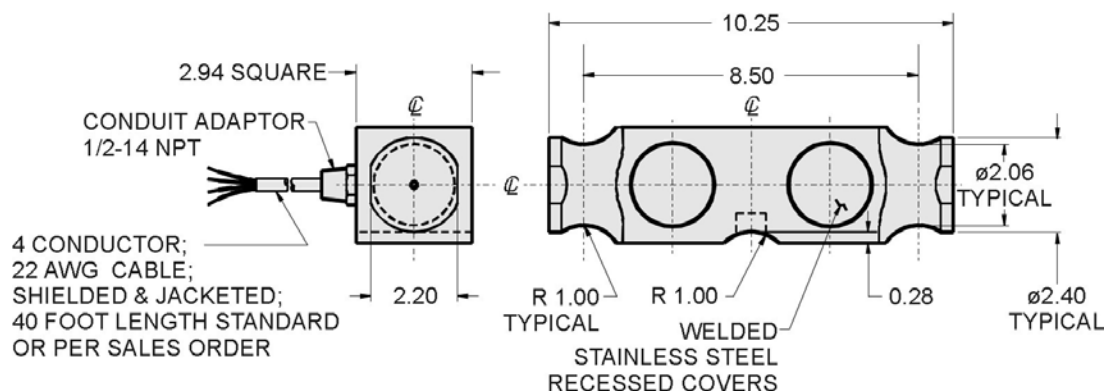
DESCRIPTION

The 65040-1127W is a mid to high capacity, welded nickel-plated alloy steel. Its sealing is creating a very good load cell with extremely high protection for harsh environmental conditions.

This double ended shear beam is designed for use in certified truck and rail scales and is available in capacities ranging from 50k through 100k lbs, and 20 to 50 tons.

This load cell is rated intrinsically safe by the Factory Mutual System (FM); making it suitable for use in potentially explosive environments. This load cell is certified for Legal For Trade applications by both American NTEP and International OIML standards.

OUTLINE DIMENSIONS in inches



Wiring

+ Excitation	Red
- Excitation	Black
+ Output	Green
- Output	White

Alloy Tool Steel, Welded Sealed, Double-Ended Shear Beam Load Cell

SPECIFICATIONS				
PARAMETER	VALUE			UNIT
Rated capacity—R.C. (E_{max})	50k, 65k, 100k 20t, 30t, 50t			lbs metric tons
NTEP/OIML accuracy class	NTEP IIII**	Standard	OIML R60	
Maximum no. of intervals (n)	10000 multiple		3000	
$Y = E_{max}/V_{min}$	NTEP Cert. No 86-045A1		6250	Maximum available
Rated output—R.O.	3.0			mV/V
Rated output tolerance	0.25			±% mV/V
Zero balance	1.0			±% FSO
Combined error	0.02	0.03	0.02	±% FSO
Non-repeatability	0.01			±% FSO
Creep error (30 minutes)	0.025	0.03	0.017	±% FSO
Temperature effect on zero	0.0009	0.0015	0.0010	±% FSO/°F
Temperature effect on output	0.0008	0.0008	0.0007	±% of load/°F
Compensated temperature range	14 to 104 (–10 to 40)			°F (°C)
Operating temperature range	0 to 150 (–18 to 65)			°F (°C)
Storage temperature range	–60 to 185 (–50 to 85)			°F (°C)
Sideload rejection ratio	500:1			
Safe sideload	100			% of R.C.
Maximum safe central overload	150			% of R.C.
Ultimate central overload	300			% of R.C.
Excitation, recommended	10			VDC or VAC RMS
Excitation, maximum	25			VDC or VAC RMS
Input impedance	686–714			Ω
Output impedance	699–707			Ω
Insulation resistance at 50 VDC	>1000			MΩ
Material	Nickel-plated alloy steel*			
Environmental protection	IP68			

* Stainless steel available as 65040W

** Only imperial capacities are NTEP approved

FSO—Full Scale Output

All specifications subject to change without notice.