

Interchangeable Products

RICE LAKE WEIGHING SYSTEMS
RLBLP..... page 172

Specifications

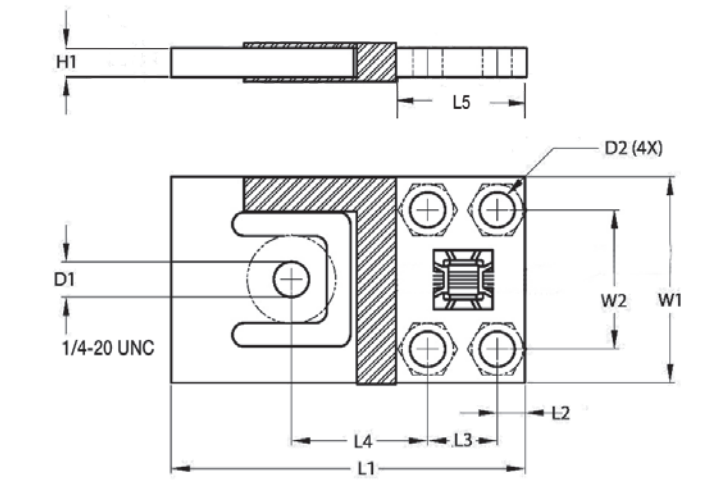
- Full Scale Output:**
1 mV/V
mV/V/ohm calibration
- Output Resistance:**
1,000 (± 10) ohm
- Input Resistance:**
1,180 (± 50) ohm
- Material/Finish:**
Aluminum
- Temperature:**
Operating range
0 °F to 150 °F (-18 °C to 65 °C)
- Seal Type:**
Environmentally sealed, IP65
- Safe Overload:**
150% full scale
- Rated Excitation:**
5 to 10 VDC
- Combined Error:**
0.060% full scale
- Insulation Resistance:**
5,000 megohm
- Cable Length:**
1.5 m
- Cable Color Code:**
Green +Excitation
Black -Excitation
White +Signal
Red -Signal
Yellow Shield
- Warranty:**
One-year limited

Order Information

Load Rating	Part #	Est. Weight	Price
15 kg	96361	1 lb	Consult
37.5 kg	96362	1 lb	Consult
75 kg	96363	1 lb	Consult
150 kg	96364	1 lb	Consult

Dimensions

Rated Capacity	L1	L2	L3	L4	L5	W1	W2	H1	D1	D2	Deflection (mm) at E max
kg/mm											
15	70.0	4.9	14.0	28.0	23.7	39.0	27.8	4.1	7.6	5.1	0.3
37.5	76.2	6.0	15.0	29.3	27.0	44.5	30.0	4.8	7.6	6.6	0.4
75	84.4	6.4	15.0	34.0	27.7	54.8	30.0	6.4	7.6	6.6	0.4
150	107.3	7.8	22.9	45.9	38.4	69.9	44.5	7.9	9.1	8.1	0.6



FLINTEC