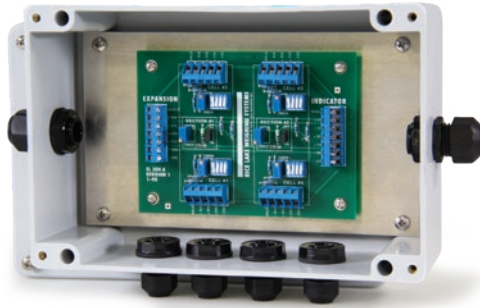


EL304A

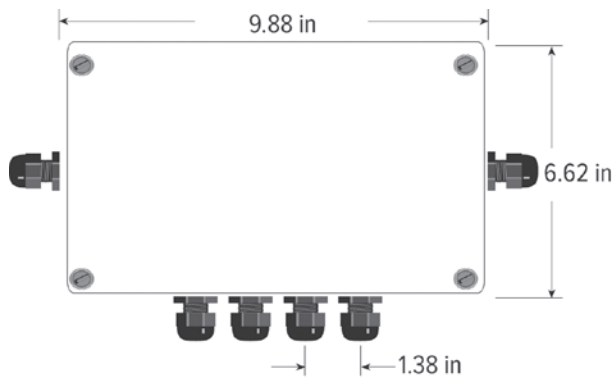
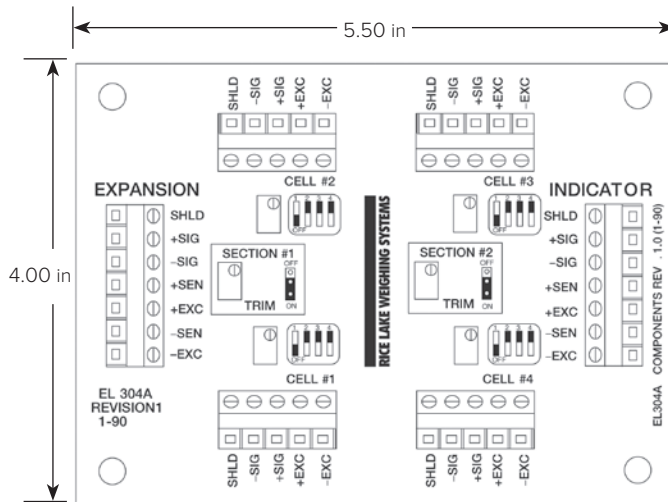
Signal Trim Junction Box



Part Number/Price

Part #	Description	Price
21169	EL304A signal trim four-channel junction box	Consult
21301	Board only	Consult
165275	Enclosure only (includes cord grips)	Consult

Note: Do not mix junction box models or use other brands of junction boxes with Rice Lake junction boxes. There is a risk of system instability.



Standard Features

- Strain relief cable fittings
- Individual cell signal disconnect switches
- Number of cells: Two or four single cells (even number of cells only)
- Corner and/or section trim applications
- Expansion port

Applications

- Livestock scales
- Tank and vessel weighing

Specifications

Cable Fittings:

- Four nylon cable strain reliefs
0.079 to 0.236 in
- Two nylon cable strain reliefs
0.236 to 0.354 in

Connectors:

- Electrovert 0.197 in (5.0 mm) miniature screw terminals. Maximum wire size #14 AWG

Trimming:

- Individual cell and section, signal trim

Potentiometers:

- 100,000 ohm, 25-turn cermet

Rating/Material:

- NEMA Type 4X, 40 PSI washdown
- Fiberglass Reinforced Polyester (FRP)

Warranty:

- One-year limited

JUNCTION BOXES / SIMULATORS