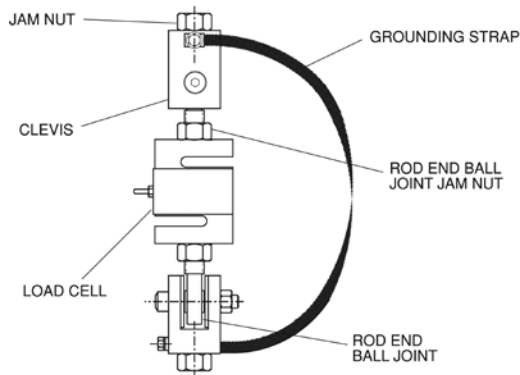
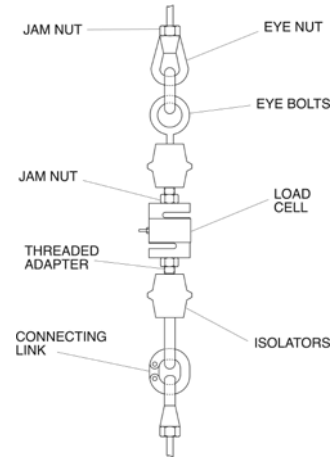


Mounting Assembly Component Identification



ITCM Isolated Tension Cell Mounting Assembly



Conventional Tension Mounting Assembly

Our popular Isolated Tension Cell Mounting (ITCM) assembly and other conventional suspended weighing system assemblies employ a variety of serviceable hardware components. Rice Lake Weighing Systems offers a comprehensive selection of these items for all of your suspended vessel service needs. These drawings are designed to enable you to quickly identify and differentiate components from both of these common designs. All corresponding replacement hardware is located on the following pages.

Jam Nuts



Standard Features

- Mild steel/stainless steel
- Coarse or fine thread
- Zinc-plated mild steel or stainless steel

Thread Size	Part #	Price
Mild Steel, Fine Thread		
1/4-28 UNF	14639	Consult
3/8-24 UNF	14651	Consult
1/2-20 UNF	14664	Consult
3/4-16 UNF	14687	Consult
1-12 UNF	14702	Consult
1-14 UNF	14703	Consult
1 1/4-12 UNF	14708	Consult
1 1/2-12 UNF	14711	Consult
Mild Steel, Coarse Thread		
1/4-20 UNC	14636	Consult
3/8-16 UNC	14649	Consult
1/2-13 UNC	14661	Consult
5/8-11 UNC	14676	Consult
3/4-10 UNC	14686	Consult
1-8 UNC	14701	Consult
1-1/4-7 UNC	14707	Consult

Thread Size	Part #	Price
Stainless Steel, Fine Thread		
1/4-28 UNF	14640	Consult
1/2-20 UNF	14665	Consult
3/4-16 UNF	14688	Consult
Stainless Steel, Coarse Thread		
3/8-16 UNC	14653	Consult
1/2-13 UNC	14662	Consult
5/8-11 UNC	14680	Consult
3/4-10 UNC	14690	Consult